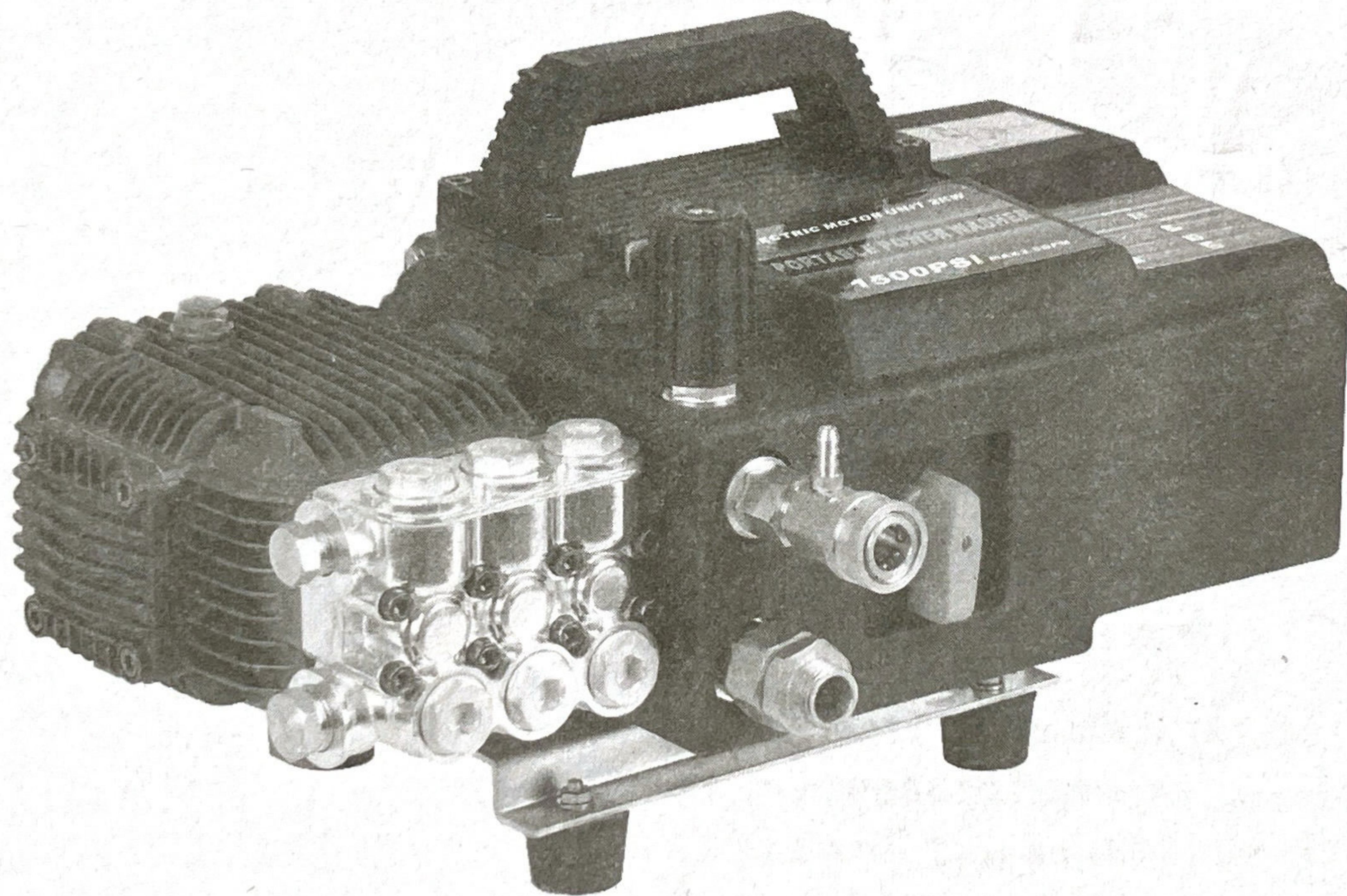


OPERATING INSTRUCTIONS

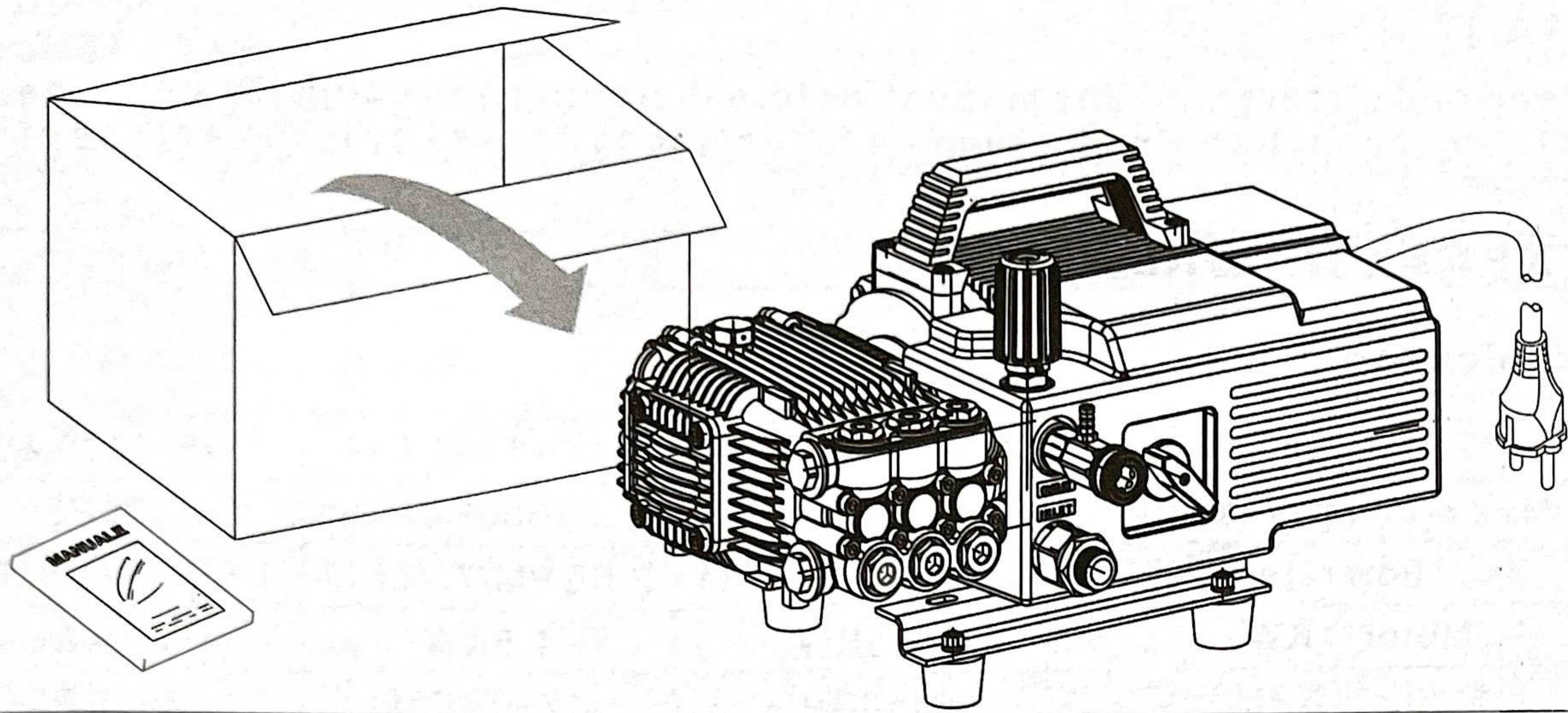
PORTABLE ELECTRIC PRESSURE WASHER

3WP-1500C

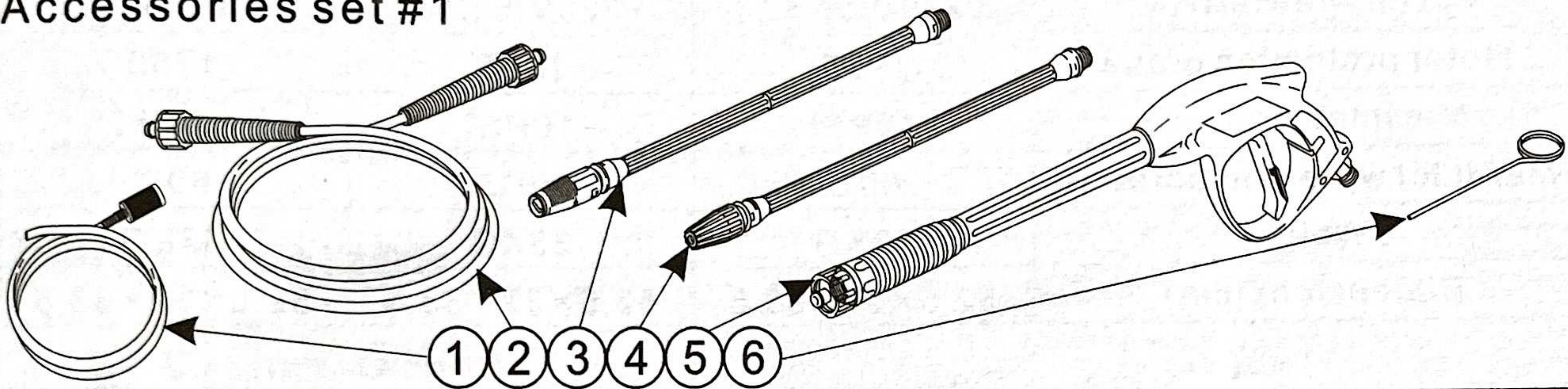


Please read and understand
this manual before installing and using the unit.

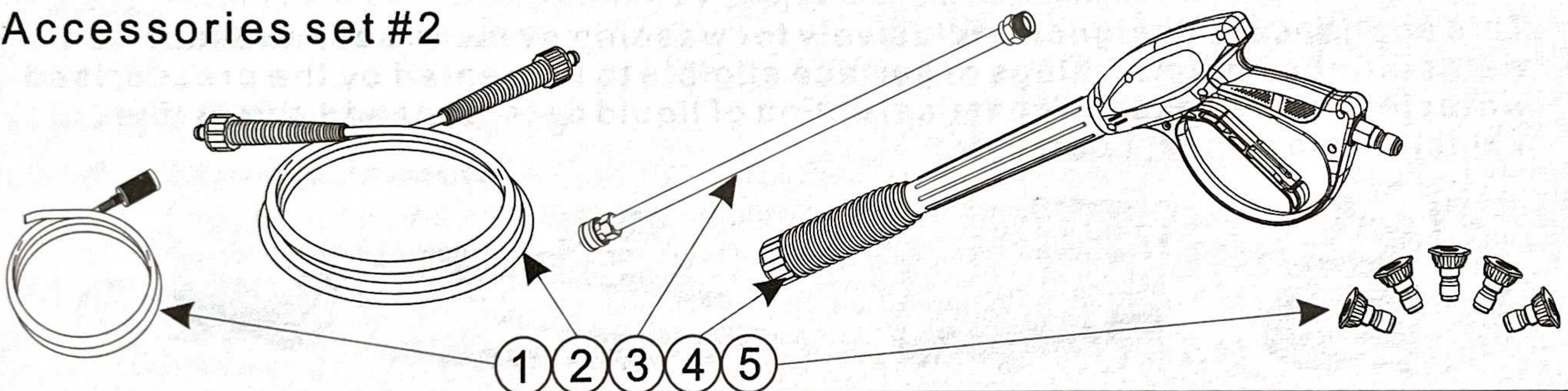
This book should be well kept for future reference.



Accessories set #1



Accessories set #2



Accessories set #1

HADICA S FILTER

1. Detergent hose with filter
2. High-pressure hose *VISOLIT. HD*
3. Adjusting nozzle with lance
4. Nozzle complete with lance
5. Gun
6. Nozzle clean up tool

Accessories set #2

1. Detergent hose with filter
2. High-pressure hose
3. Lance with quick disconnect fitting
4. Gun
5. Quick disconnect nozzle 5pcs/set

Unpack the machine and make sure that it is complete and not damaged, In case it is not complete or damaged, do not use the machine and consult your dealer.

For reasons of packaging or transport, some accessory components can be supplied loose. In this case they must be assembled according to the instructions in this manual.

Make sure that the components of the packaging are placed out of the reach of children.

IMPORTANT

Please read and understand this manual before installing and using the unit. The manufacturer cannot be held responsible for damages caused by incorrect use of this machine

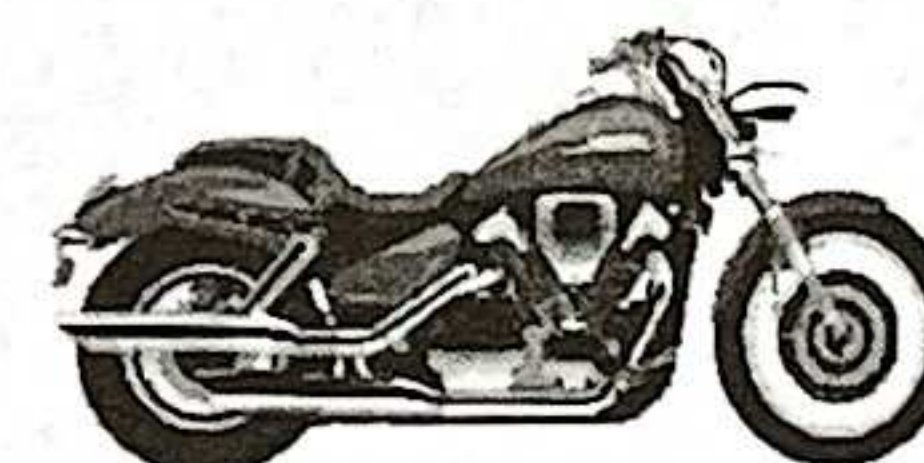
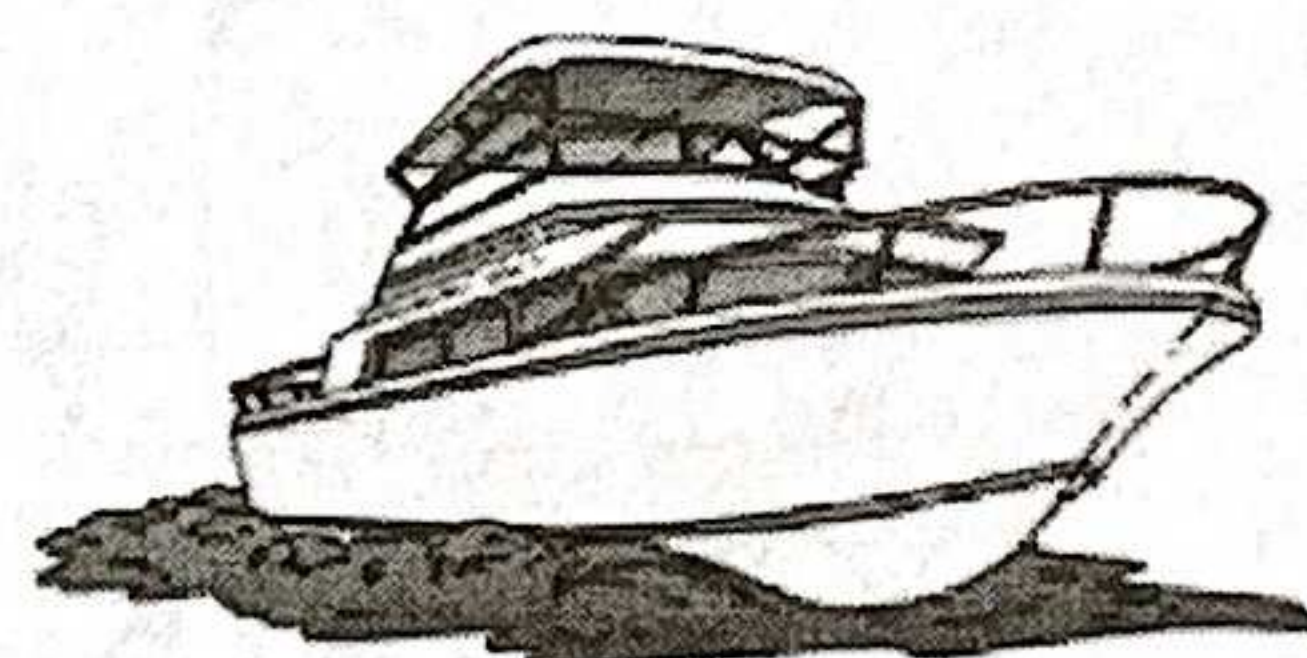
1 GENERAL INFORMATION

1.1 Technical data

Model	3WP-1500-5S4	3WP-1500-6T4	3WP-1500-6S4
Max working pressure	1500PSI	1500PSI	1300PSI
flow rate	2.0GPM/7.7LPM	2.0GPM/7.7LPM	1.5GPM/5.9LPM
Motor (KW)	1.5KW	1.5KW	1.1KW
Motor (RPM)	1450RPM	1700RPM	1700RPM
Voltage/Hertz	230V/50HZ	220V/60HZ	120V/60HZ
Motor protection grade	IP55	IP55	IP55
Min inlet pressure	10PSI	10PSI	10PSI
Max inlet water temperature	60°C	60°C	60°C
Weight	33KG	33KG	33KG
Dimensions(cm)	52.5×32×33.5	52.5×32×33.5	52.5×32×33.5

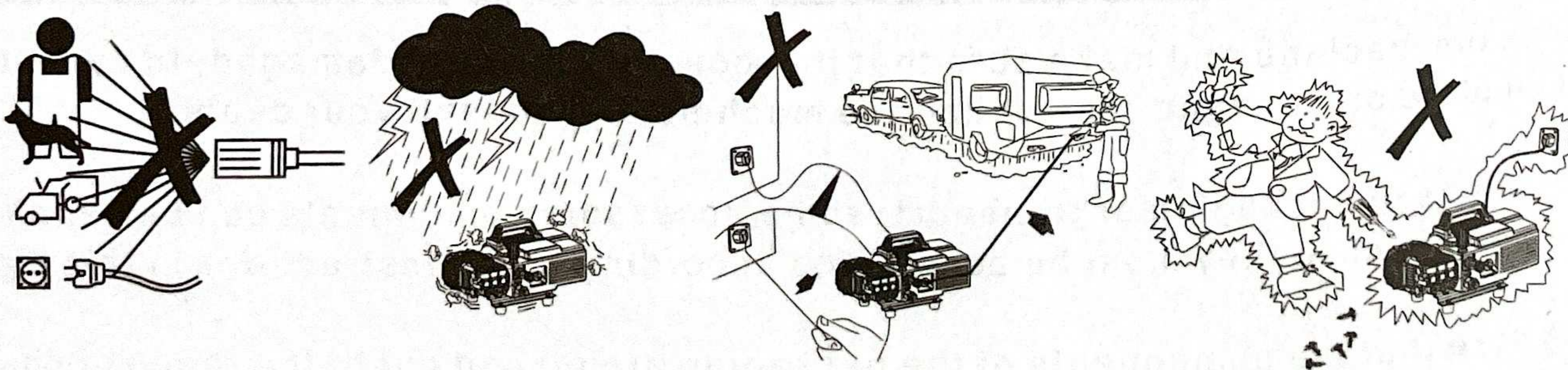
1.2 Destination of use

This appliance is designed exclusively for washing by means of a pressurised water jet, the objects, things or surface eligible to be treated by the pressurised water jet and by possible chemical action of liquid detergent additives, like vehicles, machines, boats, etc.



1.3 Precaution for use

- Do not use any inflammable, explosive and toxic liquid into this appliance.
- Do not use this unit in the atmosphere of potentially inflammable and explosive.
- Do not use any non-original parts and any spare parts are not intended for this unit.
- Do not point the water jet against persons or animals, or the unit itself.
- Do not pull power cord to unplug or to pull high-pressure hose to move the unit.
- Do not start the unit if the power cord, hose, any connector and gun is damaged.
- Do not cover the machine and place it in an enclosed space with insufficient ventilation.
- Do not leave the machine running for more than 5mins with the gun closed.
- Do not touch electrical parts or components, shut off the motor and remove the plug from the socket before doing any maintenance or installing.



1.4 Safety Signs

Comply with the instructions provided by the safety signs that sticks on the appliance, check they are present and legible, otherwise, fit replacements in the original positions.

1.5 Safety devices



Caution-danger!

Do not tamper or adjust the safety valve setting.

- Pressure relief valve

When release the trigger, the valve opens and the water reticulates through the pump inlet

- Thermal relief valve

When the unit running more then 5mins with gun close, the temperature of the recirculating water will increase rapidly, when the temperature up to 60°C , the valve opens and release the hot water, and the unit will suck the cold water for cooling the system.

- Gun safety lock

It prevents the accidental spray of water

2 INSTALLATION



Caution-danger!

Before installation and assembly operations the appliance must be disconnected from the mains power supply.

2.1 Install the vented oil plug



Caution-danger!

The pump sealed with the ship oil plug to prevent oil leak, it must be replaced by the vented oil plug attached, otherwise the oil temperature will increase can damage the components.

Please change the shipping plug(RED) with the vent oil plug(FIG 2.1) before run the unit.

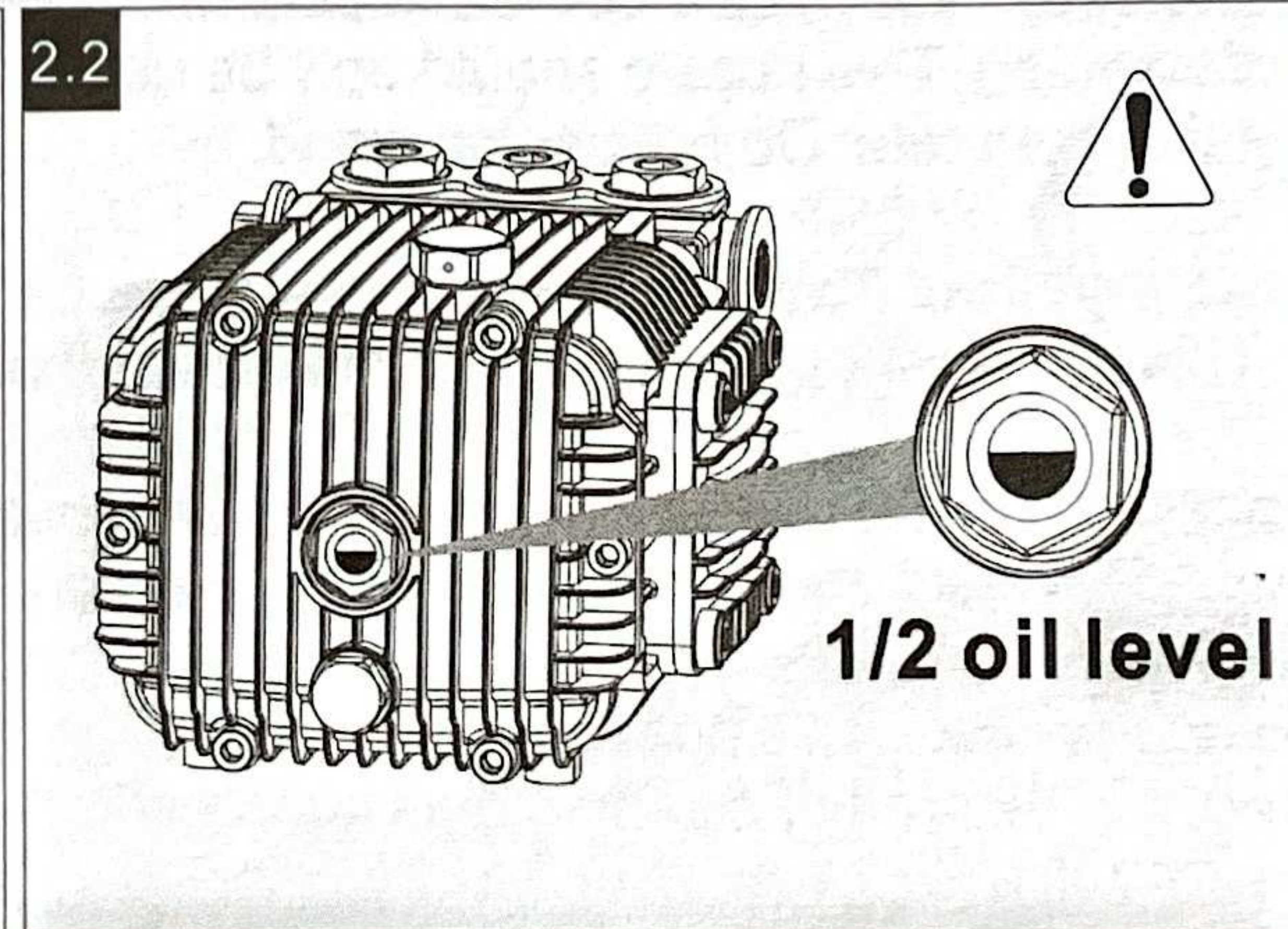
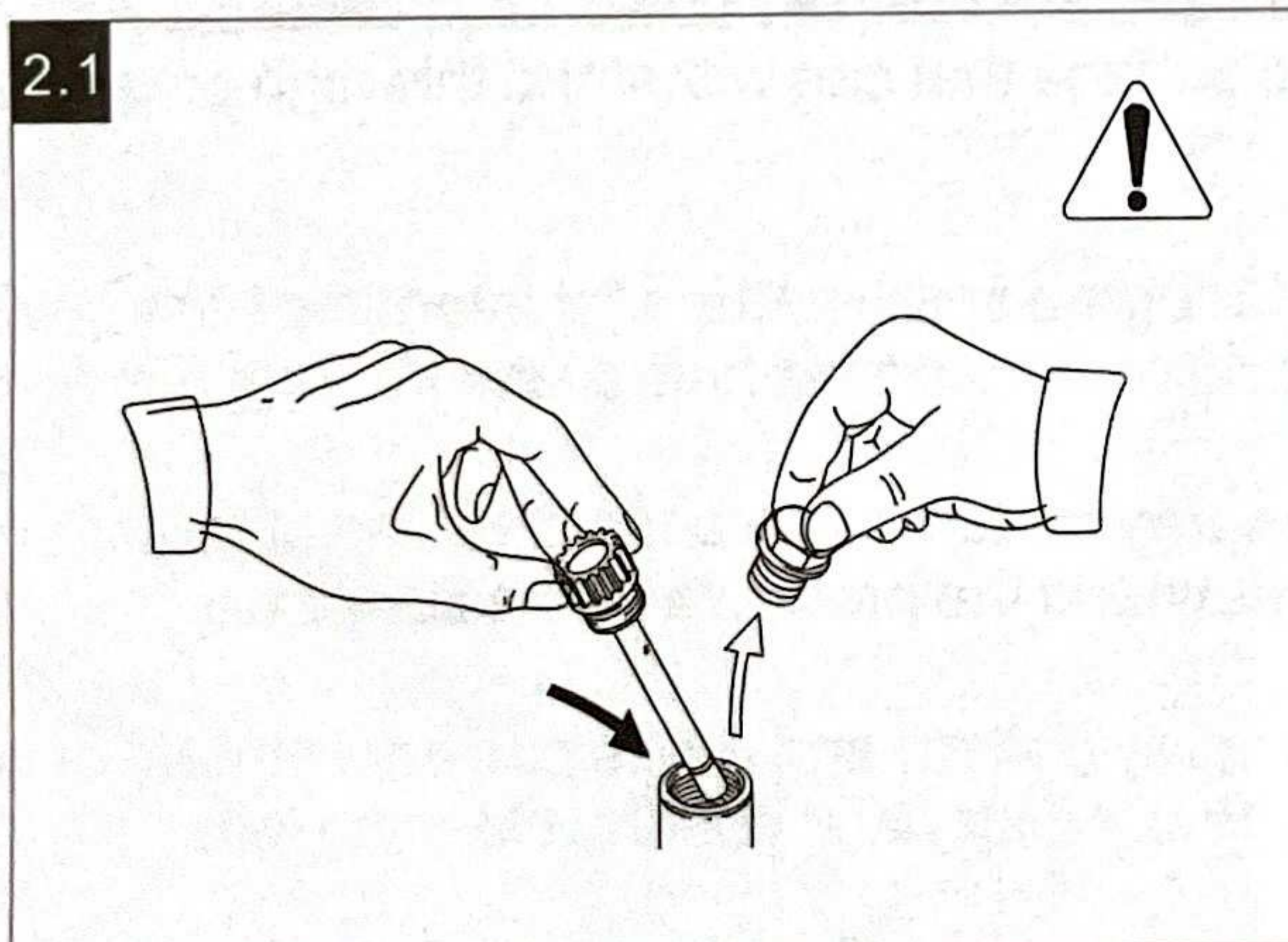
2.2 Check the pump lubricate oil



Caution-danger!

Operating pump is with low or no oil causes permanent damage and voids warranty. Check oil before each use.

Check the pump oil level in the sight glass, it should be at the halfway level. If the oil level is low add the proper oil type and capacity. See information below.
Oil type: 60°C or above = SAE 10W-30. Below 60°C = SAE 5W-30
Oil capacity: 500ml/16.7oz
Chang the oil after first 20hours of work, and successively 150hours.

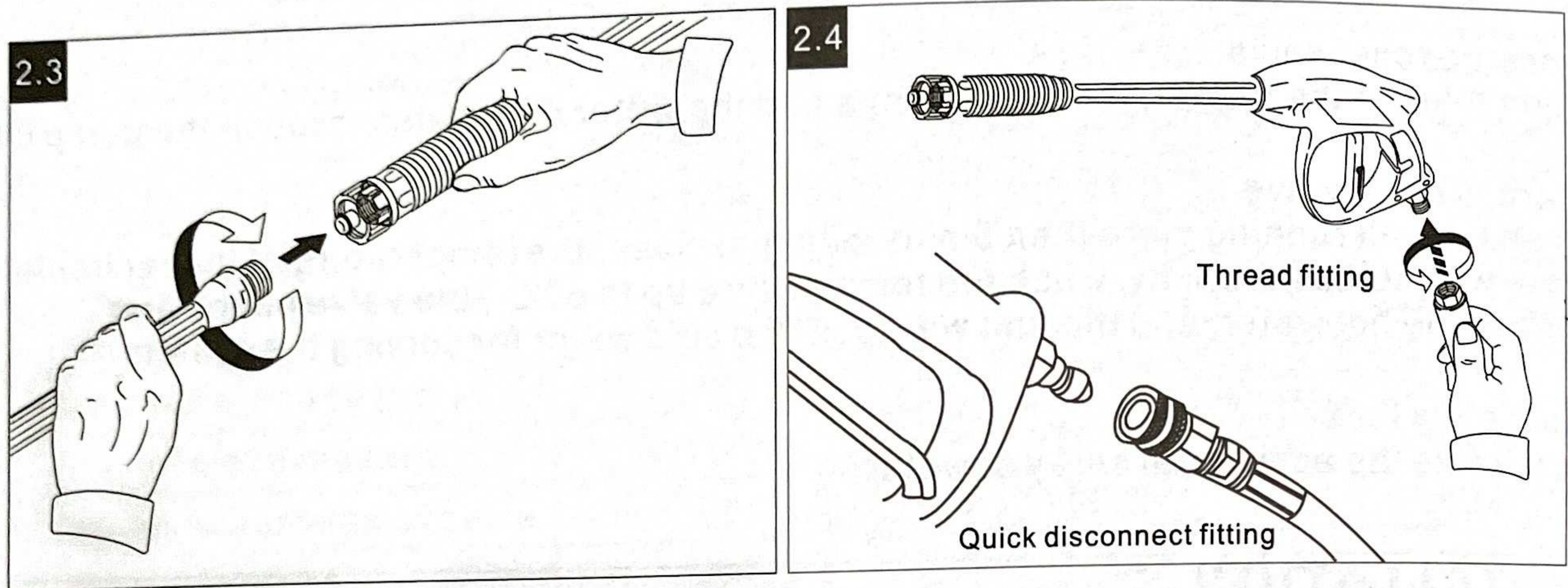


2.3 Wand install

Flow the below instruction (FIG 2.3) to install the wand onto the gun.

2.4 Connect the high-pressure onto gun

The machine may supply with different hose connection, please check your hose connection, and flow the below instruction (FIG 2.4) to connect the high-pressure hose onto the gun.



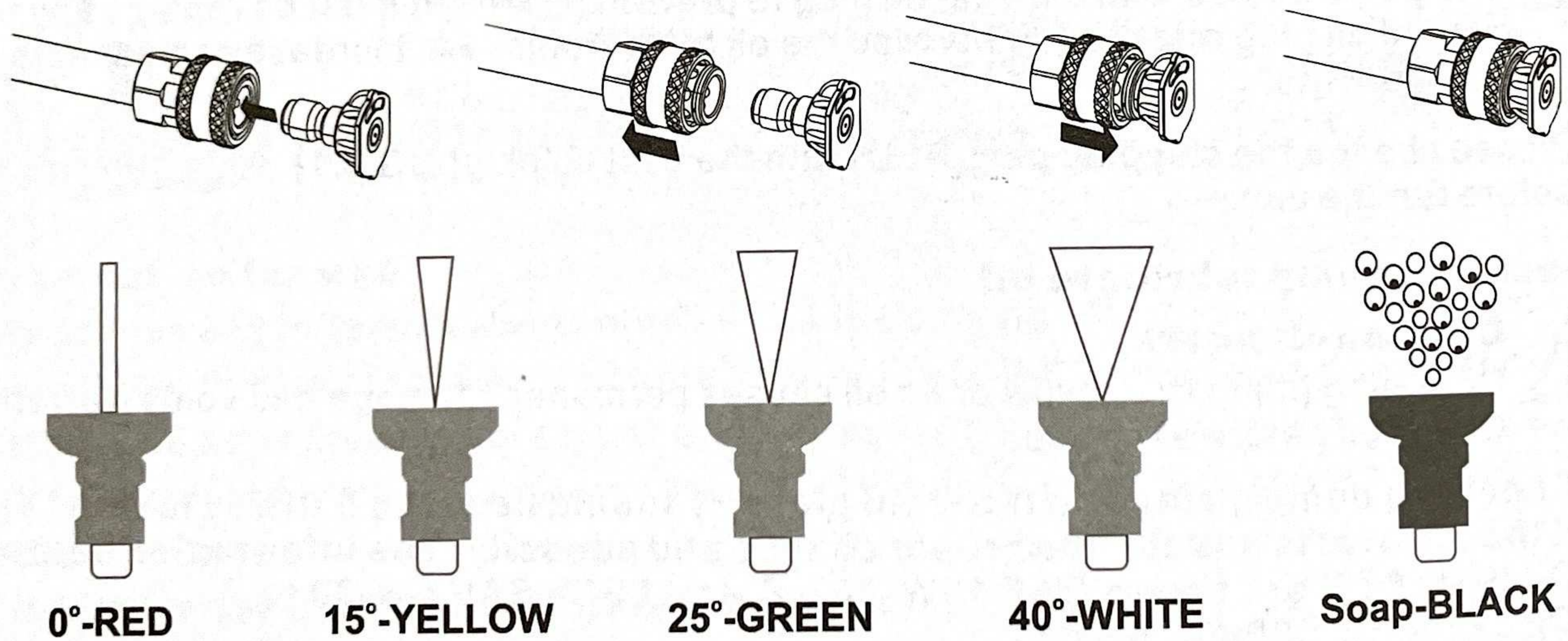
2.5 High-pressure nozzles install (for models with this feature)



Caution-danger!

Ensure nozzle is completely inserted in QC socket and QC snap ring is fully engaged (forward) before squeezing gun trigger

The machine may supply with quick connect nozzle tips, please confirm the performance of the nozzle tips before insert the nozzle into QC.



0° nozzle-red. This nozzle delivers a pinpoint stream and is extremely powerful. It covers a very small area of cleaning. This nozzle should only be used on surface that can withstand this high pressure such as metal or concrete. Do not use on wood.

15° nozzle-yellow. This nozzle delivers a powerful 15degree spray pattern for intense cleaning of small areas. This nozzle should only be used on areas that can withstand the high pressure from this nozzle.

25° nozzle-green. This nozzle delivers a 25degree spray pattern for intense cleaning of larger areas. This nozzle should only be used on areas that can withstand the pressure from this nozzle.

40° nozzle-white. This nozzle delivers a 40degree spray pattern and a less powerful stream of water. It covers a wide area of cleaning, this nozzle should be used for most general cleaning jobs.

Soap nozzle-black. This nozzle is used to apply chemicals or cleaning solutions.

2.6 Connect the hose onto the machine



Caution-danger!

Only clean or filtered water should be used for intake, running the machine without water, or with dirty, sandy water or containing corrosive chemicals, will cause serious damage to the machine.

2.6.1 Connection points

Water outlet (OUTLET)

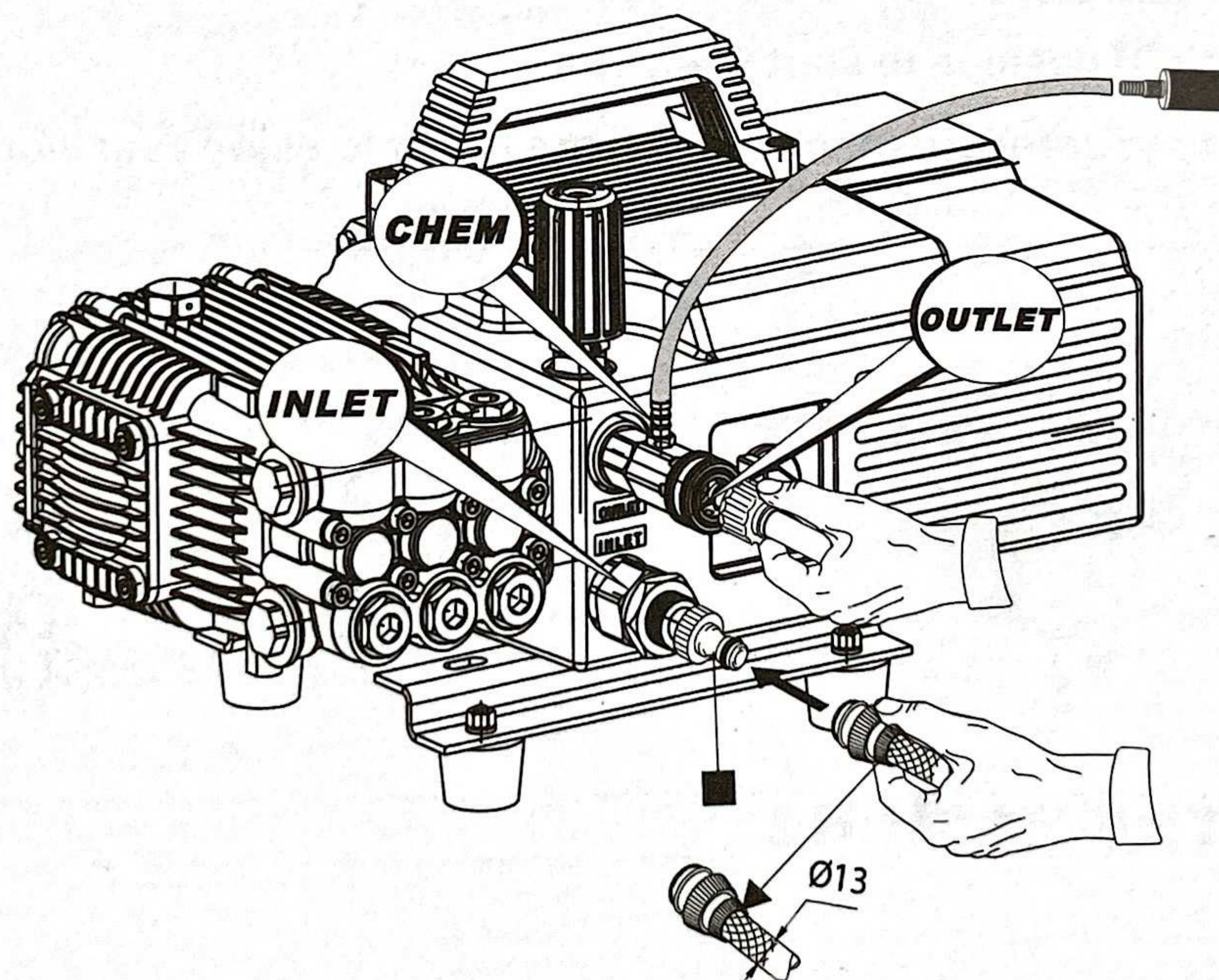
Water inlet (INLET)

2.6.2 Connect the high-pressure hose

Connect the high-pressure hose onto the machine, and make sure it is tightly fixed.

2.6.3 Connect the water supply hose

Connect the water supply hose to the INLET port by means of a reinforced hose (minimum 15bar/200psi) with the internal diameter of no less than 13mm (1/2"). Considering that the water flow decreases in accordance with the length of the hoses, make sure that the flow of the water supply reaches the machine is at least 10lpm.



2.7 Connect to electrical supply



Caution-danger!

Check the electrical supply voltage and frequency (V-HZ) correspond to those specified on the appliance data plate. The appliance should only be connected to a mains power supply equipped with an adequate earth connection and differential security breaker (30mA) to cut off the electricity supply in the instance of a short circuit.

Make sure the switch on the machine is in the OFF position, and insert the plug.

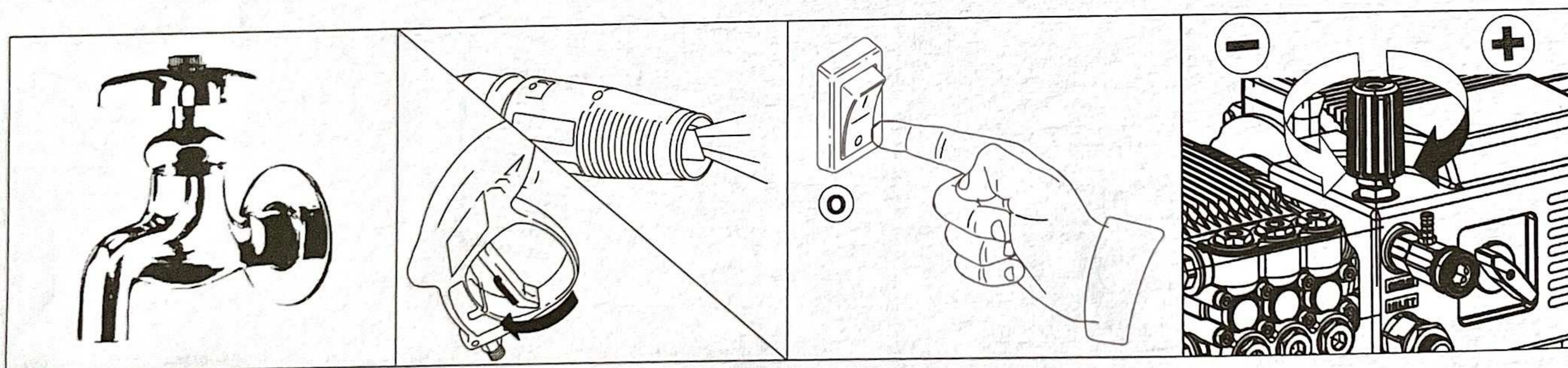
2.7.1 Use of extension

Use cables featuring IPX5 protection level. The cross-section of the extension cable should be proportionate to its length. The longer it is, the greater its cross-section should be.

	Volt		
	230	3 x 1,5 mm ²	3 x 2,5 mm ²

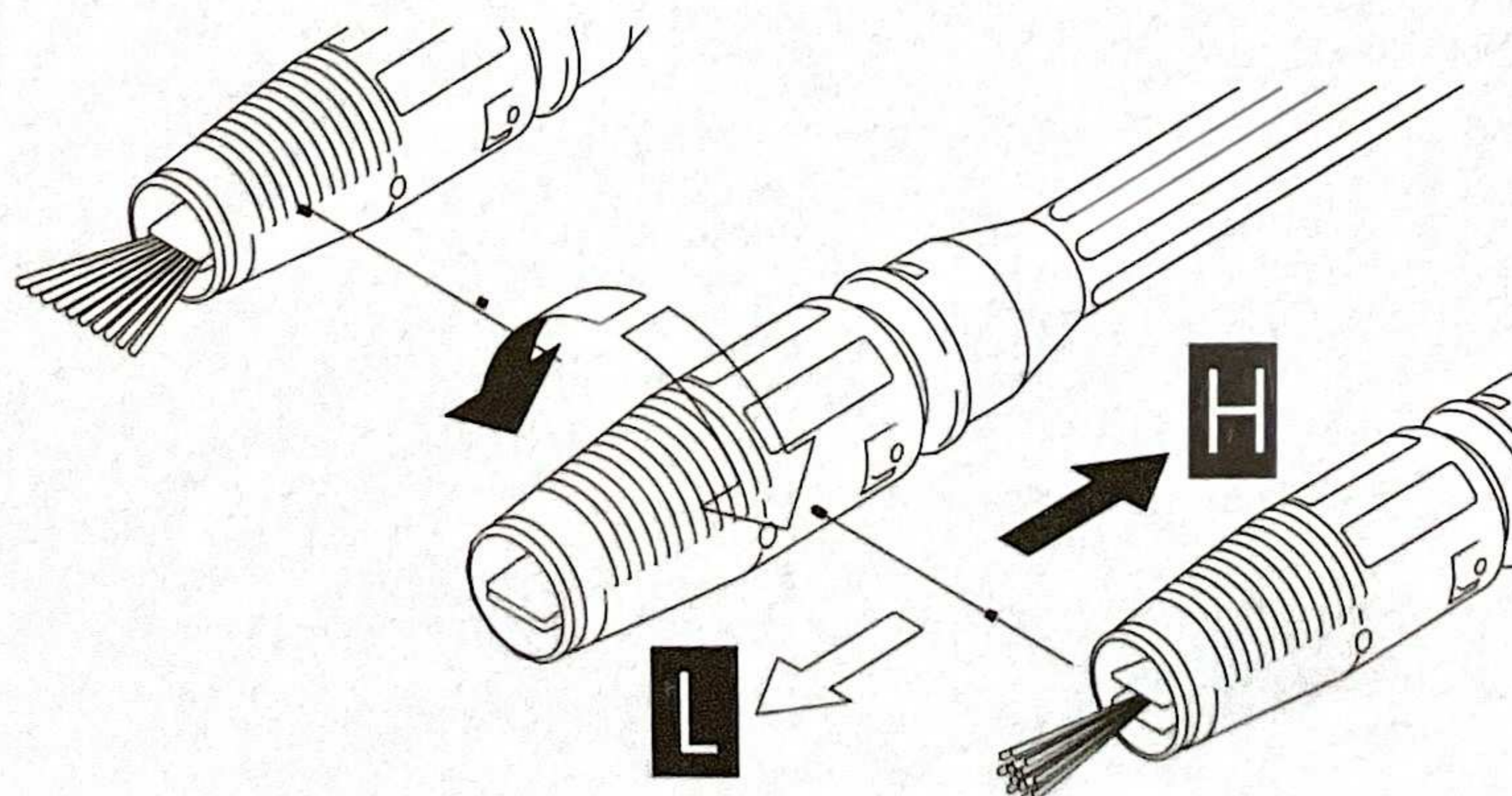
3 START THE MACHINE

- 3.1 Turn on the water supply tap fully
- 3.2 Release the safety lock, and depress the gun trigger for a few seconds to allow the air to escape from the hose.
- 3.3 Turn the switch in ON(O) position to start the motor
- 3.4 Adjust the pressure to your requirement and you are ready to enjoy your work



4 HOW TO USE THE MACHINE

4.1 Adjust the pressure



H: High-pressure
L: Low-pressure

4.2 Using detergent

When using detergent, the adjustable nozzle must be set on L position (low pressure). Dissolve dirt by applying the detergent mixed with water to the surface while still dry, when dealing with the vertical surfaces, work from the bottom upwards. Leave the detergent to act for 1-2 minutes, but not allow the surface to dry. Starting from the bottom, use the high pressure jet at a minimum distance of 30cm. Do not allow the rinse water to run onto unwashed surface.

5 STORAGE

- 1) Switch the appliance off.
- 2) Remove the plug from the socket.
- 3) Turn off the water supply tap.
- 4) Discharge the residual pressure from the gun until all the water has come out of the nozzle.
- 5) Drain the detergent tank.
- 5) Engage the gun safety lock.

6 MAINTENANCE

Any maintenance operations not covered by this chapter should be carried out by an Authorized Sales and Service Centre



Caution-danger!

Always disconnect the plug from the power socket before carrying out any work on the appliance.

Cleaning the nozzle

- 1) Disconnect the lance from the nozzle.
- 2) Remove any dirt deposits from the nozzle hole using the clean up tool.

Cleaning the filter

Clean the suction filter and the detergent filter after every 50 hours of operation.

End-of- season storage

Treat the appliance with non-corrosive, non-toxic antifreeze before storing it away from winter.

7 DISPOSAL OF THE MACHINE

Should you decide not to use the machine anymore, it is recommended to make it unusable by removing the power supply cord.

In all cases it must be kept out of the reach of children.

Being as the machine is a special waste, disassemble it and gather the homogeneous parts for disposal according to the applicable laws.

Do not use the scrapped parts as spare parts.

8 TROUBLE SHOOTING

for qualified personnel only

Pump is running but does not reach the working pressure	Pump sucking air	Check tightness of hose fittings
	Valves worn or dirty	Clean the valve or replace it
	Unloader valve packing worn	Check and replace
	Nozzle incorrect or worn	Check and replace
	Water supply pressure low	Turn on the water supply fully
	Filter dirty	Check, clean or replace
Pressure fluctuates	Valves worn, dirty or stuck	Check, clean or replace
	Pump sucking air	Check, clean or replace
	Filter dirty	Check, clean or replace
Pressure drops during use	Water intake from external tank	Connect to the mains water supply
	Nozzle worn, dirty or stuck	Check, clean or replace
	Intake water too hot	Reduce temperature
Pump noisy	Pump sucking air	Check tightness of hose fittings
	Valves worn, dirty or stuck	Check, clean or replace
	Bearings worn	Check, clean or replace if necessary
Presence of water in oil	High humidity in air	Check and change oil often
	Piston packing and oil seal worn	Contact your nearest Service Centre
Water leakage	Seals worn	Contact your nearest Service Centre
Oil leakage	Seals worn	Contact your nearest Service Centre
The motor does not start when switched on	The plug not well connected or lack of power supply	Check plug, cable and switch
When switch on the unit, the motor hums but does not run	The mains voltage is insufficient, lower than the minimum required.	Check the mains power supply is adequate
	The pump is stuck or frozen	Check by turning the motor manually as described in instructions
	Incorrect extension cable	For correct choice see table